

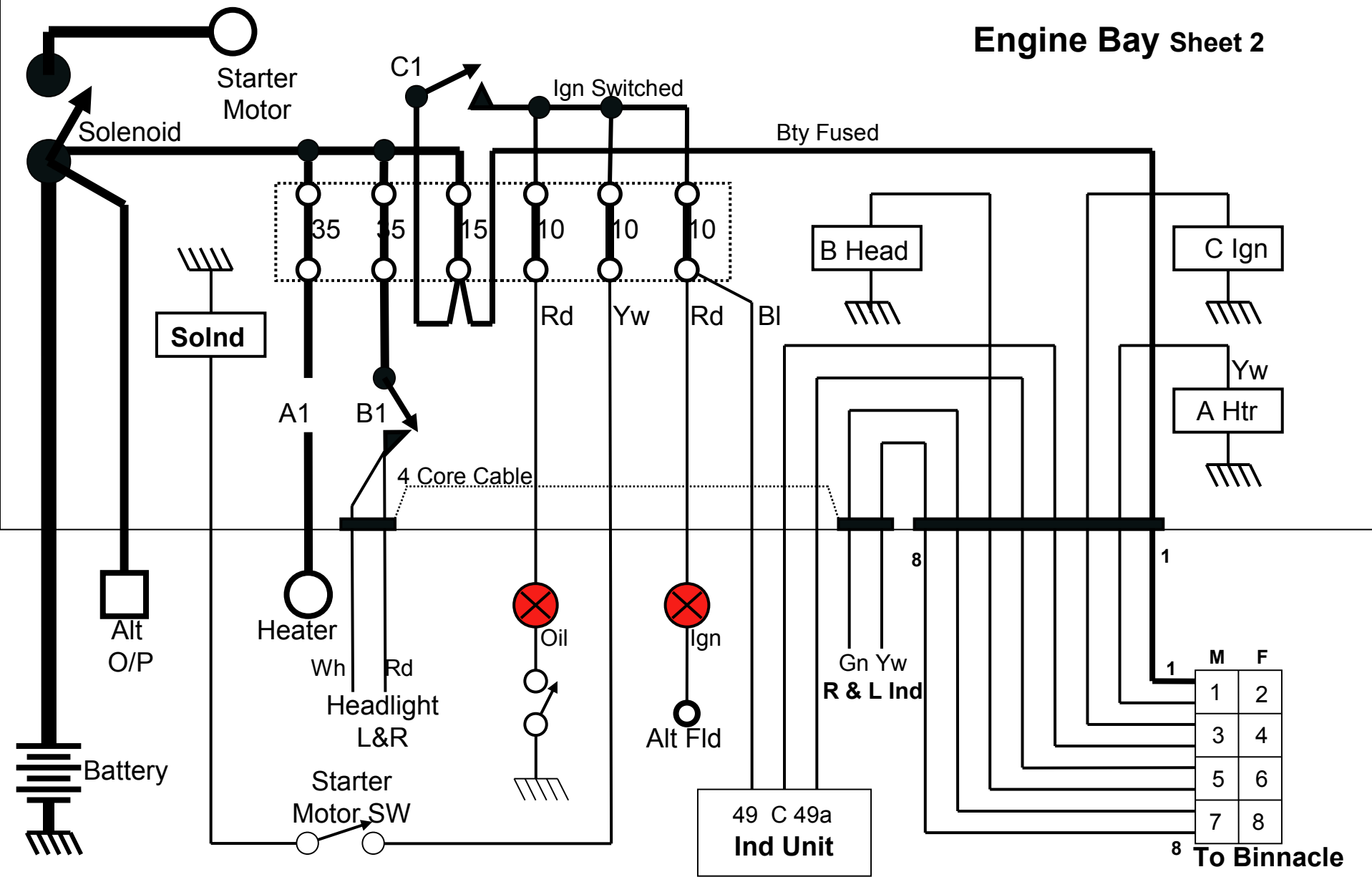
1 Engine Bay to Binnacle

- | | |
|-----------|-----------------------|
| 1 – Gn/Yw | +ve Battery |
| 2 – Yw | Heater Relay A On |
| 3 – Bn | Ignition Relay C On |
| 4 – Bl | C Ind W/L |
| 5 – Rd | 49a Indicator SW |
| 6 – Bk | Headlight Relay B On |
| 7 – Gn | Front Right Indicator |
| 8 – Yw | Front Left Indicator |

2 Binnacle to Rear Light Box

- | | |
|--------------|------------------------|
| 1 – Yellow | L Indicator |
| 2 – Blue | +ve (Unswitched) |
| 3 – White | Ground |
| 4 – Green | R Indicator |
| 5 – Brown | R Tail + No Plate |
| 6 – Red | Stop (switched Ign On) |
| 7 – Bk | L Tail |
| 8 – Not Used | |

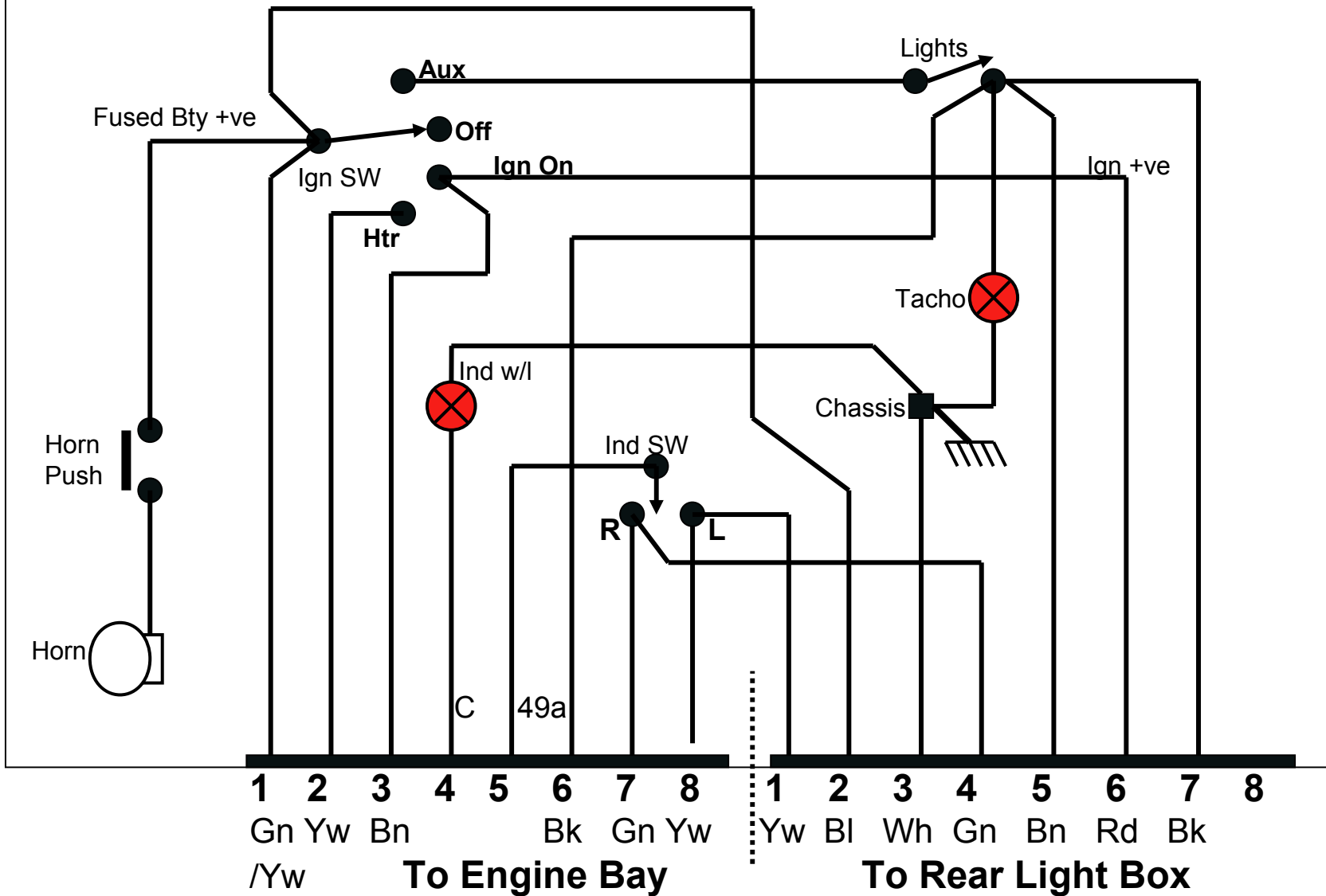
Engine Bay Sheet 2



| | M | F |
|---|---|---|
| 1 | 2 | |
| 3 | 4 | |
| 5 | 6 | |
| 7 | 8 | |

8 To Binnacle

Binnacle Sheet 3



Rear Lights Box

